

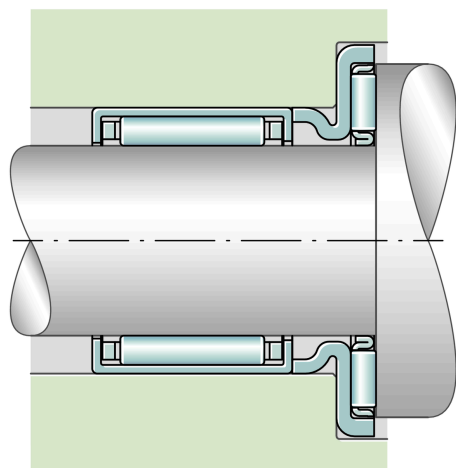
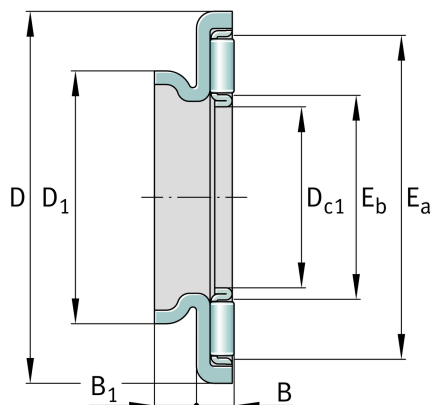
## AXW35

### Axial needle roller bearing

Schaeffler ID:  
0001621160000

Axial needle roller bearings, single  
direction, AXK with axial bearing washer

#### Technical information



#### Main Dimensions & Performance Data

$D_{c1}$	35 mm	Bore diameter cage
$D$	55 mm	Outside diameter bearing washer
$B$	3.2 mm	Height bearing
$B_1$	4 mm	Height centering collar
$D_1$	42 mm	Outside diameter centering collar
$E_a$	51 mm	Raceway dimension
$E_b$	39 mm	Raceway dimension
$C$	17,900 N	Basic dynamic load rating, axial
$C_{0a}$	81,000 N	Basic static load rating, axial
$c_{ua}$	8,400 N	Fatigue load limit, axial
$n_G$	6,600 1/min	Limiting speed
$n_{\vartheta r}$	3,250 1/min	Reference speed
	26.31 g	Weight

#### Additional information

AS3552	Axial bearing washer
HK3518-RS	Drawn cup needle roller bearings turned
HK3516	Drawn cup needle roller bearings
HK3520	Drawn cup needle roller bearings
HK3512	Drawn cup needle roller bearings for radial bearing arrangement
BK3520	Needle bush
NKIS20	Needle roller bearings with inner ring
NA4905	Needle roller bearings with inner ring
NA6905	Needle roller bearings with inner ring
NK128/20-TV	Needle roller bearings with inner ring
NK128/30	Needle roller bearings with inner ring
NK32/20-TV	Needle roller bearings with out inner ring
NK32/30	Needle roller bearings with out inner ring
NKS28	Needle roller bearings with out inner ring
RNA4905	Needle roller bearings with out inner ring
RNA6905	Needle roller bearings with out inner ring

